



# SUPERWINCH 'PRO' SERIES WINCH RANGE CONFORMS TO BS EN 14492-1 POWER DRIVEN WINCHES

[www.superwinch.com](http://www.superwinch.com)

*Winch shown for illustration purposes only*

**PRO**  
**EN 14492-1**



**EP12.5 / EP16.5 PRO Electric**

## PROFESSIONAL WINCH SPECIFICATION

### Features:

EP12.5 EU Spec Line Pull: 34.9 kN (3,560 kg)

EP12.5 Design Line Pull: 55.6 kN (5,670 kg)

EP16.5 EU Spec Line Pull: 42.2 kN (4,305 kg)

EP16.5 Design Line Pull: 73.4 kN (7,484 kg)

10:1 D:d ratio Rope Drum

### Wire Rope:

2:1 safety factor

### Wire Rope Fixing:

Twin hole safety feature

### Load Limiter:

Thermal Overload cut out

### Labelling:

Rating Plate showing 1st layer and 4th layer figures

Fairlead warning label

### Brake:

Automatic, full load-holding brake



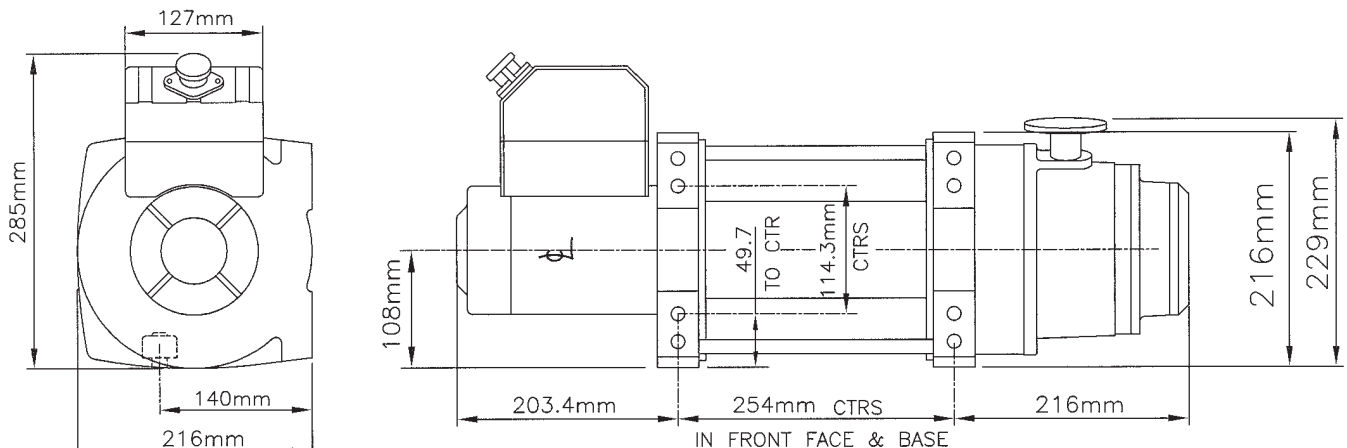
# PRO SPECIFICATION

	658001Pro, EP12.5-PRO 12v 658002Pro, EP12.5-PRO 24v	658003Pro, EP16.5-PRO 12v 658004Pro, EP16.5-PRO 24v
Rated Line Pull (EU), Bottom Layer	34.9 kN, (3,560 kg)	42.2 kN (4,305kg)
Design Line Pull (Single Line)	55.6 kN, (5,670 kg)	73.4 kN, (7,484 kg)
Motor, 12v	4.2kW, (5.6 hp)	4.2kW, (5.6 hp)
Motor, 24v	2.7 kW, (3.6 hp)	2.7 kW, (3.6 hp)
Gearing	3-Stage Planetary	3-Stage Planetary
Gear Ratio	261:1	315:1
Freespooling Clutch	Lift and Turn	Lift and Turn
Braking	Automatic 100% Load Holding	Automatic 100% Load Holding
Wire Rope recommended (not supplied with winch)	10mm x 30m	11mm x 23m
Dimensions	673mm x 216mm x 285mm	673mm x 216mm x 285mm
Drum Dimensions	90mm dia x 205mm long	101.6mm dia x 205mm long
Weight, Winch only	66.2 kg	68.5 kg
Switching Method	Rubber handheld remote	Rubber handheld remote
Switching Mechanism	Heavy duty solenoid operated contactors	Heavy duty solenoid operated contactors
Roller Fairlead (does not fit to winch)	Standard	Standard
<b>OPTIONAL ACCESSORIES</b>		
Flatbed Mount Plate (necessary to fit Roller Fairlead)	Part No: 258006	
Emergency stop switch	Part No: 4-132-047	
Solenoid operated in-line contactor	Part No: 4-124-115, 12v Part No: 4-124-114, 24V	
Rope Drum Safety Guard	Part No: 58-30170	

# PRO PERFORMANCE

Line Pull (1st layer on drum)	EP12.5-PRO			EP16.5-PRO		
	Line Speed	Motor Amps		Line Speed	Motor Amps	
		Kg	12 Volts		24 Volts	M/Min
0	7.3	55	49	8.7	63	49
910	4.6	110	115	4.7	105	115
1820	2.4	160	165	2.4	165	150
3,560	1.6	240	190	1.6	215	190
4,305	N/A	N/A	N/A	1.3	245	250

# PRO DIMENSIONS



Design, materials and specifications are subject to change without notice. Superwinch is not responsible for printing errors inadvertently made in the production of this catalogue. The pictures are for illustrative purposes only and the products and accessories will vary between countries. Superwinch Ltd. Union Mine Road, Pitts Cleave, Tavistock, Devon. PL19 0PW Tel: 01822 614101 Fax: 01822 615204 Email: sales@superwinch.net