



# SUPERWINCH 'PRO' SERIES WINCH RANGE CONFORMS TO BS EN 14492-1 POWER DRIVEN WINCHES

**PRO**  
EN 14492-1

[www.superwinch.com](http://www.superwinch.com)

*Winch shown for illustration purposes only*



**EP9.0 PRO Electric**

## PROFESSIONAL WINCH SPECIFICATION

### Features:

EP9.0 EU spec Line Pull: 24.5kN (2,500kg)  
EP9.0 Design Line Pull: 40kN (4,080kg)  
10:1 D:d ratio Rope Drum

### Wire Rope:

2:1 safety factor

### Wire Rope Fixing:

Twin hole safety feature

### Load Limiter:

Thermal Overload cut out

### Labelling:

Rating Plate showing 1st layer and 4th layer figures  
Fairlead warning label

### Brake:

Automatic, full range load-holding brake



# PRO SPECIFICATION

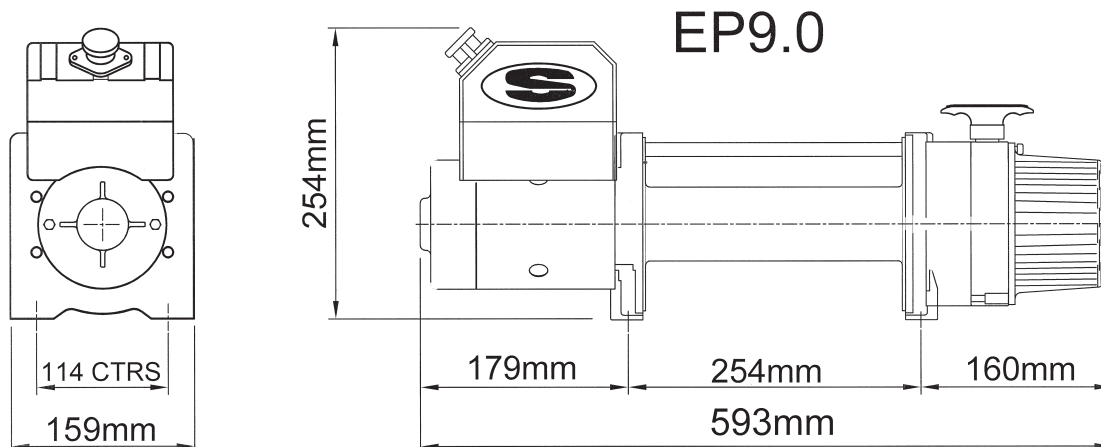
EP9.0 PRO	
	<b>09332Pro &amp; 09333Pro</b>
Rated Line Pull (EU), Bottom Layer	24.5 kN, (2,500 kg)
Design Line Pull (single line)	40 kN, (4,080 kg)
Motor, 12v	3.4 kW, (4.6 hp)
Motor, 24v	2.0 kW, (2.6 hp)
Gearing	3-Stage planetary
Gear Ratio	156:1
Freespooling Clutch	Lift and turn
Braking	Automatic 100% load holding
Wire Rope recommended (not supplied with winch)	8mm x 23m (5 tonne min break)
Dimensions	593mm.l x 159mm.d x 181mm.h
Drum Diameter	72 mm, min
Drum Length	228 mm
Weight, Winch only	35 kg
Switching Method	Rubber handheld remote
Switching Mechanism	Heavy duty solenoid operated contactors
Roller Fairlead (does not fit to winch)	Standard
OPTIONAL ACCESSORIES	
Flatbed Mount Plate (necessary to fit Roller Fairlead)	Part No: 258001
Emergency stop switch (optional accessory)	Part No: 4-132-047
Solenoid operated in-line contactor (optional accessory)	12v: 4-124-115 / 24v: 4-124-114
Rope Drum Safety Guard	Part No: 58-30169

*These winches are not for hoisting or the transportation of people.*

# PRO PERFORMANCE

EP9.0-PRO			
Line Pull (1st layer on drum)	Line Speed	Motor Draw	
		Amps 12v	Amps 24v
Kg	M/min		
0	13.4	33	15
910	4.6	110	55
1,820	3.4	200	100
2,500	2.9	250	135

# PRO DIMENSIONS



*Design, materials and specifications are subject to change without notice. Superwinch is not responsible for printing errors inadvertently made in the production of this catalogue. The pictures are for illustrative purposes only and the products and accessories will vary between countries.*

Superwinch Ltd. Union Mine Road, Pitts Cleave, Tavistock, Devon. PL19 0PW Tel: 01822 614101 Fax: 01822 615204 Email: sales@superwinch.net