



SUPERWINCH 'PRO' SERIES WINCH RANGE CONFORMS TO BS EN 14492-1 POWER DRIVEN WINCHES

PRO
EN 14492-1

www.superwinch.com

Winch shown for illustration purposes only



H12P / H14P **PRO** Hydraulic

PROFESSIONAL WINCH SPECIFICATION

Features:

H12P EU spec Line Pull: 50kN(5,100kg)
H14P EU spec Line Pull: 59.02kN(6,020kg)
10:1 D:d ratio

Wire Rope:

2:1 safety factor

Wire Rope Fixing:

Twin hole safety feature

Load Limiter:

Hydraulic System Relief Valve on Vehicle
(Supplied by winch installer)

Labelling:

Rating Plate showing 1st layer and 4th layer figures
Fairlead warning label

Brake:

Integral full load-holding spring applied
with hydraulic over-centre valve



PRO SPECIFICATION

	H12P PRO	H14P PRO
Rated Line Pull (EU), Bottom Layer	50.0 kN (5,100 kg)	59.02 kN (6,020kg)
Line Speed, Bottom Layer, (No Load)	10.77 m/min	9.0 m/min
Wire Rope Diameter, Recommended	12 mm	13 mm
Wire Rope Length, Standard Drum, Max	36 m	26 m
Wire Rope Length, Long Drum, Max	40 m	30 m
Drum Dimensions	108mm dia x 255mm Standard drum 108mm dia x 290mm Long drum	117mm dia x 255mm Standard drum 117mm dia x 290mm Long drum
Weight, Winch only	72 kg / 75 kg	72 kg / 75 kg

PRO PERFORMANCE

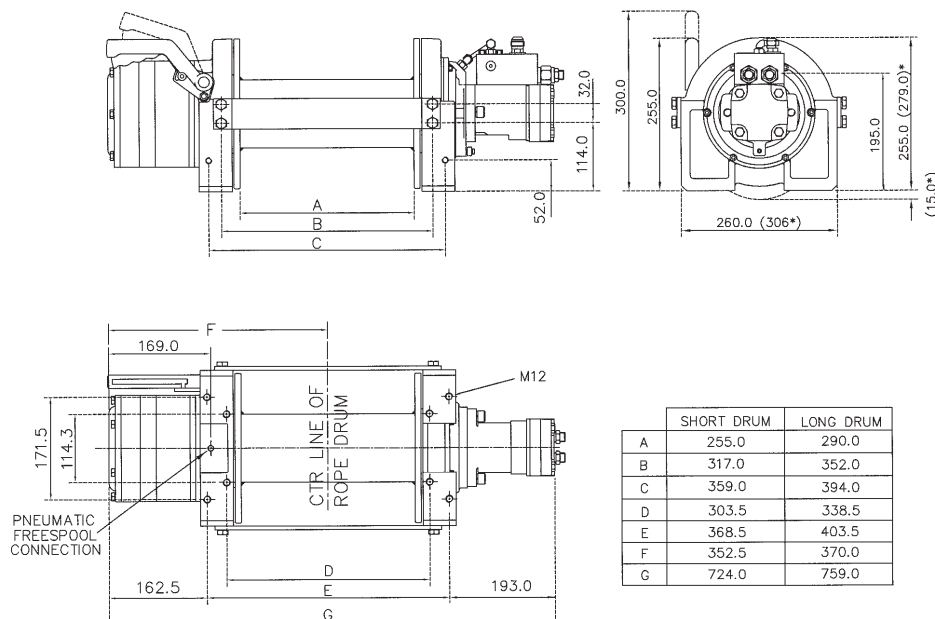
	H12P-PRO	H14P-PRO
Maximum Oil Pressure	165 bar (2,393 psi)	150 bar (2,175 psi)
Maximum Oil Flow	60 l/min	60 l/min
Line Pull, 2nd Layer	41.7 kN (4,255 kg)	49.3 kN (5,030 kg)
Line Pull, 4th Layer	31.27 kN (3,190 kg)	36.92 kN (3,765 kg)

PROFESSIONAL WINCH	Part No.	
	Standard Drum	Long Drum
H12P Pro Manual F/Spool	5320PRO	5321PRO
H12P Pro Pneu. F/Spool	5322PRO	5323PRO
H14P Pro Manual F/Spool	5330PRO	5331PRO
H14P Pro Pneu. F/Spool	5332PRO	5333PRO

OPTIONAL ACCESSORIES	Part No.	
	Standard Drum	Long Drum
Roller Fairlead	5610	5620
Cable Tensioner	5637	5670
Rope Drum Safety Guard	53-30174	53-30175
Flatbed Mount Plate	5684	
Pulley Block, 13600kg	7755	
Bow Shackle	0509	
Emergency Stop Switch	4-132-047	

WIRE ROPES	Part No.
Wire Rope, 12mm x 30m	0568
Wire Rope, 12mm x 38m	0583
Wire Rope, 13mm x 30m	0584S

PRO DIMENSIONS



Design, materials and specifications are subject to change without notice. Superwinch is not responsible for printing errors inadvertently made in the production of this catalogue. The pictures are for illustrative purposes only and the products and accessories will vary between countries.

Superwinch Ltd. Union Mine Road, Pitts Cleave, Tavistock, Devon. PL19 0PW Tel: 01822 614101 Fax: 01822 615204 Email: sales@superwinch.net