

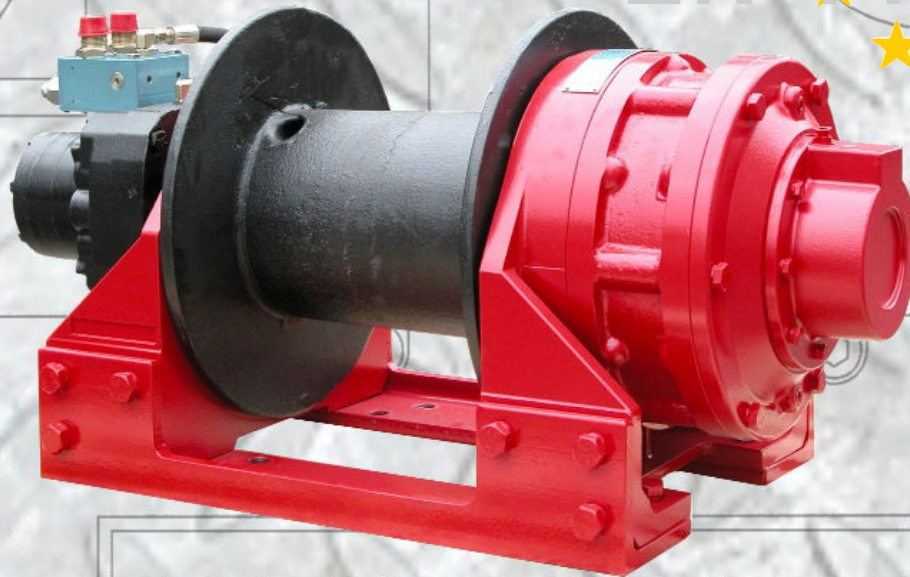


SUPERWINCH 'PRO' SERIES WINCH RANGE CONFORMS TO BS EN 14492-1 POWER DRIVEN WINCHES

www.superwinch.com

Winch shown for illustration purposes only

PRO
EN 14492-1



H20P / H25P / H30P PRO Hydraulic

PROFESSIONAL WINCH SPECIFICATION

Features:

H20P EU spec Line Pull: 9.080 tonne
H25P EU spec Line Pull: 11.340 tonne
H30P EU spec Line Pull: 13.610 tonne
10:1 D:d ratio Rope Drum

Wire Rope:

2:1 safety factor

Wire Rope Fixing:

Twin hole safety feature

Load Limiter:

Hydraulic System Relief Valve on Vehicle
(Supplied by winch installer)

Labelling:

Rating Plate showing 1st layer and 4th layer figures
Fairlead warning label

Brake:

Full load-holding brake



PRO SPECIFICATION

	H20-PRO	H25-PRO	H30-PRO
Rated Line Pull (EU), Bottom Layer	89.0 kN, (9,080 kg)	111.2 kN (11,340kg)	133.4 kN (13,610 kg)
Line Speed, Bottom Layer, (No Load)	12.2 m/min (average)	10.4 m/min (average)	9.3 m/min (average)
Wire Rope Diameter, Recommended	16 mm	18 mm	20 mm
Wire Rope Length, Standard Drum, Max	55 m Standard Drum	35 m Standard Drum	30 m Standard Drum
Drum Dimensions	195mm dia x 297mm long	195mm dia x 297mm long	195mm dia x 297mm long
Weight, Winch only	198 kg	198 kg	198 kg

PRO PERFORMANCE

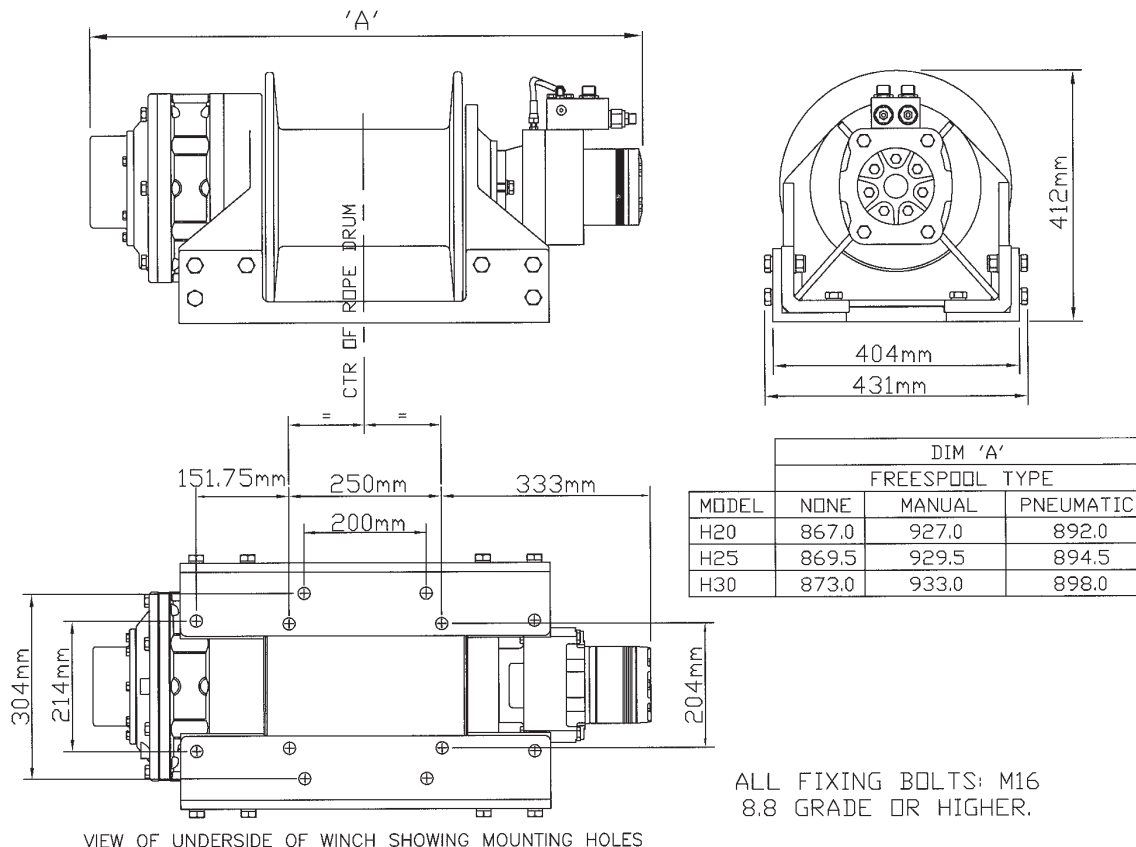
	H20-PRO	H25-PRO	H30-PRO
Maximum Oil Pressure	172 bar, (2,500 psi)	172 bar, (2,500 psi)	172 bar, (2,500 psi)
Maximum Oil Flow	75 l/min	75 l/min	75 l/min
Line Pull, 2nd Layer	77.3 kN, (7,890 kg)	95.2 kN, (9,710 kg)	112.6 kN, (11,490 kg)
Line Pull, 3rd Layer	68.3 kN (6,970 kg)	83.2 kN, (8,490 kg)	97.4 kN, (9,935 kg)
Line Pull, 4th Layer	61.2 kN (6,245 kg)	73.9 kN, (7,540 kg)	85.7 kN, (8,750 kg)

The Superwinch Pro Series H20 / H25 / H30 heavy duty hydraulic, planetary drive, winch range is available in our standard configuration, or with manually operated freespool, please contact your distributor or Superwinch for details.

PROFESSIONAL WINCH	Part No.
H20P-PRO, Air Clutch	5440-PRO
H25-PRO, Air Clutch	5450-PRO
H30-PRO, Air Clutch	5460-PRO

OPTIONAL ACCESSORIES	Part No.
Roller Fairlead	254001
Cable Tensioner	5683
Wire Rope, 20mm x 50m	0573
Rope Drum Safety Guard	54-30178
Emergency Stop Switch	4-132-047

PRO DIMENSIONS



ALL FIXING BOLTS: M16
8.8 GRADE OR HIGHER.

Design, materials and specifications are subject to change without notice. Superwinch is not responsible for printing errors inadvertently made in the production of this catalogue. The pictures are for illustrative purposes only and the products and accessories will vary between countries.

Superwinch Ltd. Union Mine Road, Pitts Cleave, Tavistock, Devon. PL19 0PW Tel: 01822 614101 Fax: 01822 615204 Email: sales@superwinch.net