



# SUPERWINCH 'PRO' SERIES WINCH RANGE CONFORMS TO BS EN 14492-1 POWER DRIVEN WINCHES

[www.superwinch.com](http://www.superwinch.com)

*Winch shown for illustration purposes only*

**PRO**  
**EN 14492-1**



## H8 / H10 **PRO** Hydraulic

### PROFESSIONAL WINCH SPECIFICATION

#### Features:

H8P EU spec Line Pull: 3.56 tonne  
H10P EU spec Line Pull: 4.3 tonne  
10:1 D:d ratio Rope Drum

#### Wire Rope:

2:1 safety factor

#### Wire Rope Fixing:

Twin hole safety feature

#### Load Limiter:

Hydraulic System Relief Valve on Vehicle  
(Supplied by winch installer)

#### Labelling:

Rating Plate showing 1st layer and 4th layer figures  
Fairlead warning label

#### Brake:

Full load-holding brake



# PRO SPECIFICATION

	H8-PRO	H10-PRO
Rated Line Pull (EU), Bottom Layer	34.9 kN, (3,560 kg)	42.16 kN (4,300kg)
Line Speed, Bottom Layer, (No Load)	14.7 m/min	10.0 m/min
Wire Rope Diameter, Recommended	10 mm	11 mm
Wire Rope Length, Standard Drum, Max	27m Standard Drum	20m Standard Drum
Wire Rope Length, Long Drum, Max	36m Long Drum	26m Long Drum
Drum Dimensions	90dia x 190mm Standard drum 90dia x 253mm Long drum	101.6 dia x 190mm Standard drum 101.6 dia x 253mm Long drum
Weight, Winch only	42kg / 44kg	42.5 / 44.5kg

# PRO PERFORMANCE

	H8-PRO	H10-PRO
Maximum Oil Pressure	150 bar, (2,175 psi)	120 bar, (1740 psi)
Maximum Oil Flow	60 l/min	60 l/min
Line Pull, 2nd Layer	29.08 kN, (2,967 kg)	35.25 kN, (3,595 kg)
Line Pull, 3rd Layer	24.94 kN (2,544 kg)	30.28 kN, (3,088 kg)
Line Pull, 4th Layer	21.83 kN (2,226 kg)	N/A

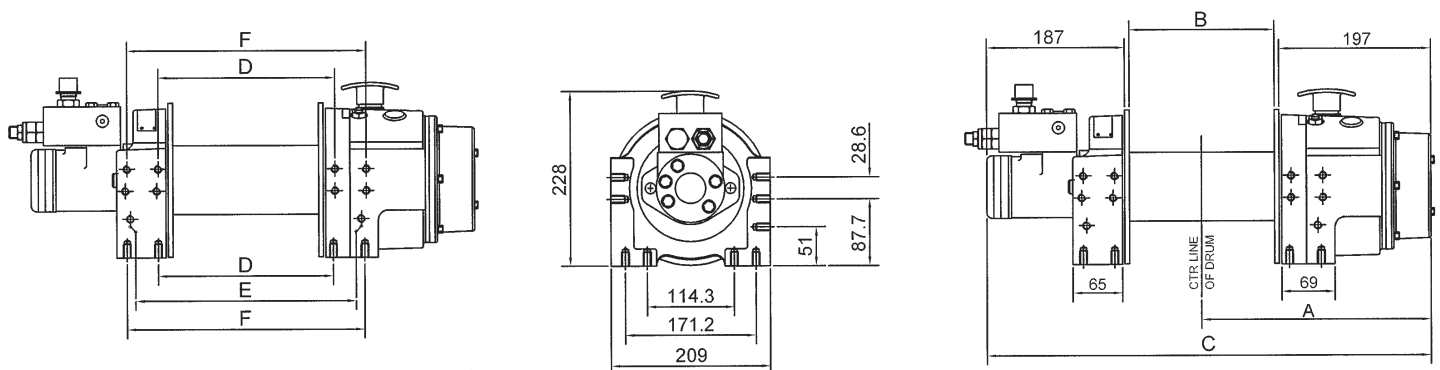
PROFESSIONAL WINCH	Part No.	
	Standard Drum	Long Drum
H8 Pro	5050PRO	5060PRO
H10 Pro	5170PRO	5172PRO

OPTIONAL ACCESSORIES	Part No.	
	Standard Drum	Long Drum
Roller Fairlead	5600	5610
Cable Tensioner	5606	5607
Flatbed Mount Plate	5625	
Pneumatic Freespool	5603	
Pulley Block, 9000kg	7750	
Bow Shackle	0509	
Emergency Stop Switch	4-132-047	
Rope Drum Safety Guard	50-30171 (Standard)	
Rope Drum Safety Guard	50-30172 (Long)	
Wire Rope, 10mm x 27m	0561S	
Wire Rope, 10mm x 30m	0563S	
Wire Rope, 11mm x 26m	200009	

ALL HOLES: M10 THREAD

BS EN: 14492 Superwinch PRO Winch Dimensions: mm						
Winch	A	B	C	D	E	F
H8P/H10P Standard Drum	300	190	591	229	298.5	311
H8P/H10P Long Drum	333	253	654	292	361.5	374

# PRO DIMENSIONS



Design, materials and specifications are subject to change without notice. Superwinch is not responsible for printing errors inadvertently made in the production of this catalogue. The pictures are for illustrative purposes only and the products and accessories will vary between countries. Superwinch Ltd. Union Mine Road, Pitts Cleave, Tavistock, Devon. PL19 0PW Tel: 01822 614101 Fax: 01822 615204 Email: sales@superwinch.net